



5810 SERIES REVERSIBLE PANIC/FIRE EXIT RIM DEVICES

INSTALLATION INSTRUCTIONS

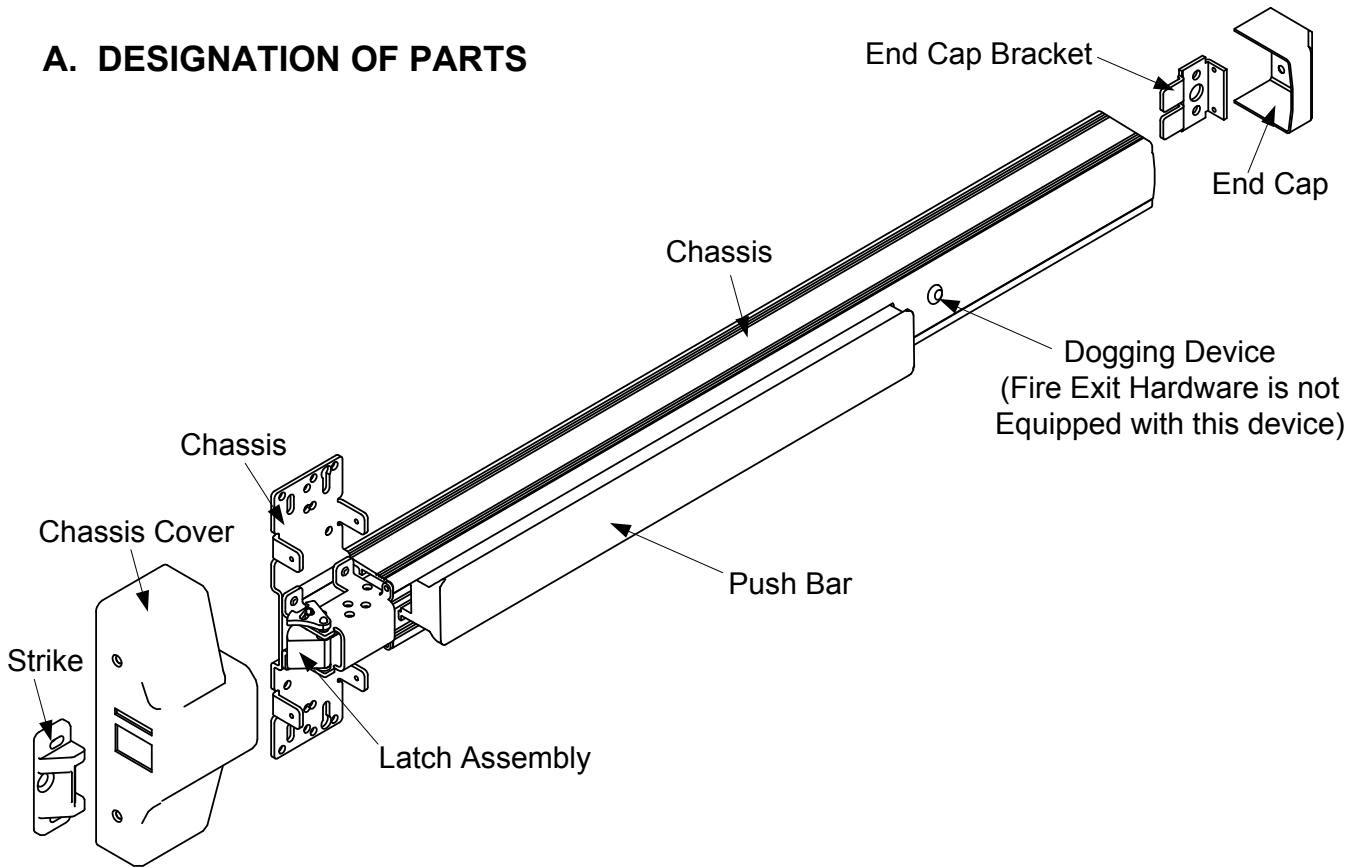


These instructions are presented a in step by step sequence and attach a template tape to your door and frame as an aid to preparing for device mounting.

Please read it through **before** installation.

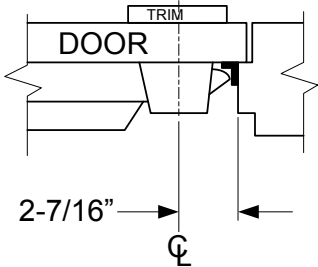
Note: The dimensions of the Template are shown in inches.
See attached page for the Metric Conversion Table for millimeters.

A. DESIGNATION OF PARTS

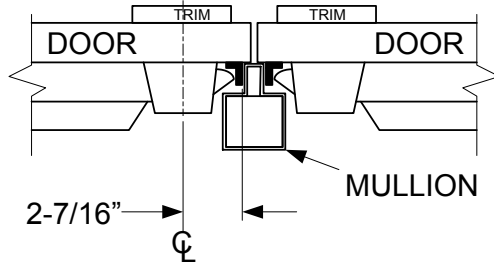


B. TYPE OF INSTALLATION

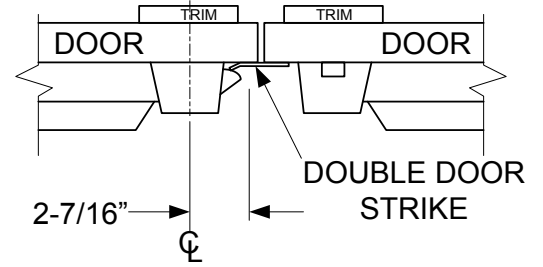
A. Single Door



B. Double Door with Mullion

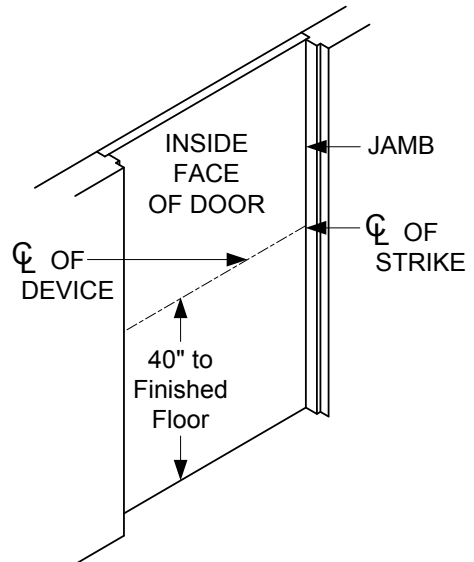


C. Double Door without Mullion



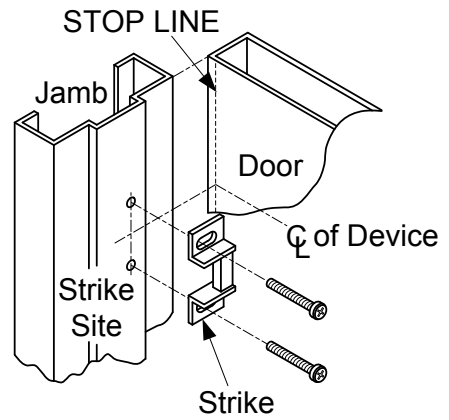
C. MARK POSITION FOR INSTALLING

1. Mark the center line of device by drawing a line across the door and stop 40" above the finished floor as shown at right.
2. Prepare door for you specific device per supplied template.
3. Drill holes as marked on door and jamb or mullion.



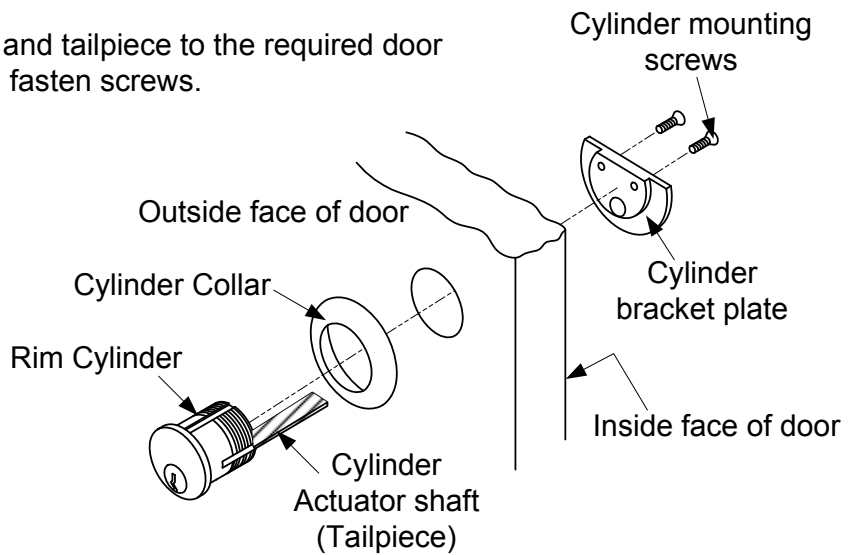
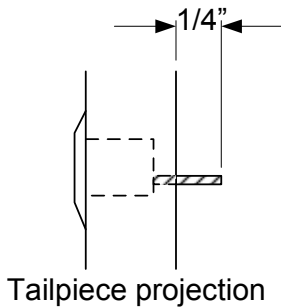
D. INSTALL STRIKE TO FRAME

1. Place strike over the drilled holes, and attach it to the jamb or mullion with the supplied screws.
2. If installing with a vertical rod device for double doors, and additional Double Door Strike must be used in place of the regular strike provided.



E. IF CYLINDER IS INCLUDED WITH THE DEVICE

1. Drill one 1-3/16" diameter thru hole for the cylinder/bracket plate.
2. Insert cylinder and cylinder collar from outside of door.
3. Place bracket plate on inside of face of the door.
4. Put two cylinder mounting screws through the bracket plate and into the cylinder.
5. Cut the cylinder mounting screws and tailpiece to the required door thickness at break-off points, then fasten screws.

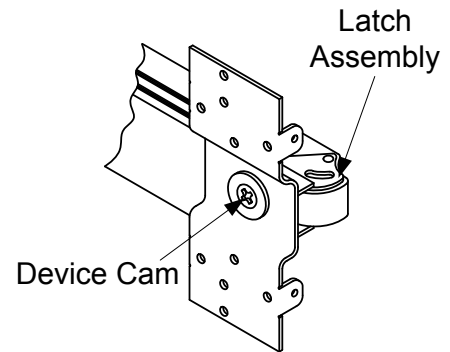


F. INSTALL OUTSIDE TRIM

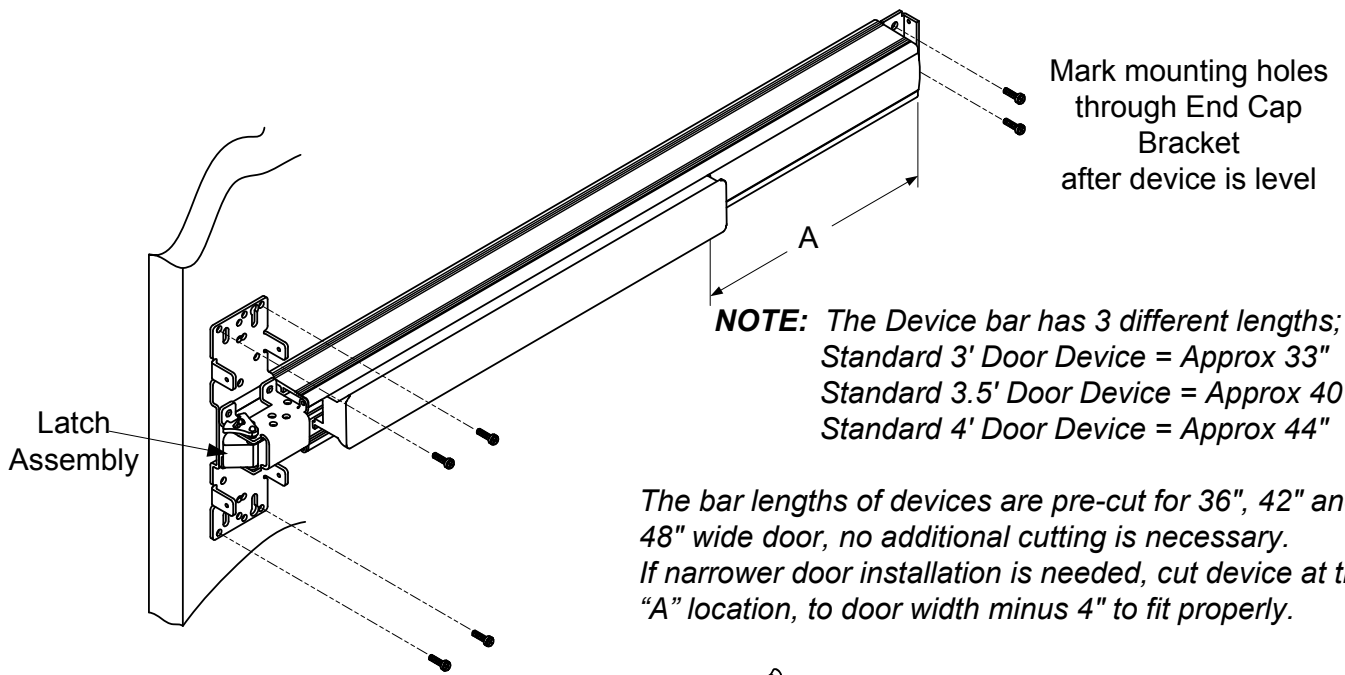
Mark and drill holes for the outside trim (see trim instructions).

E. INSTALL DEVICE BODY

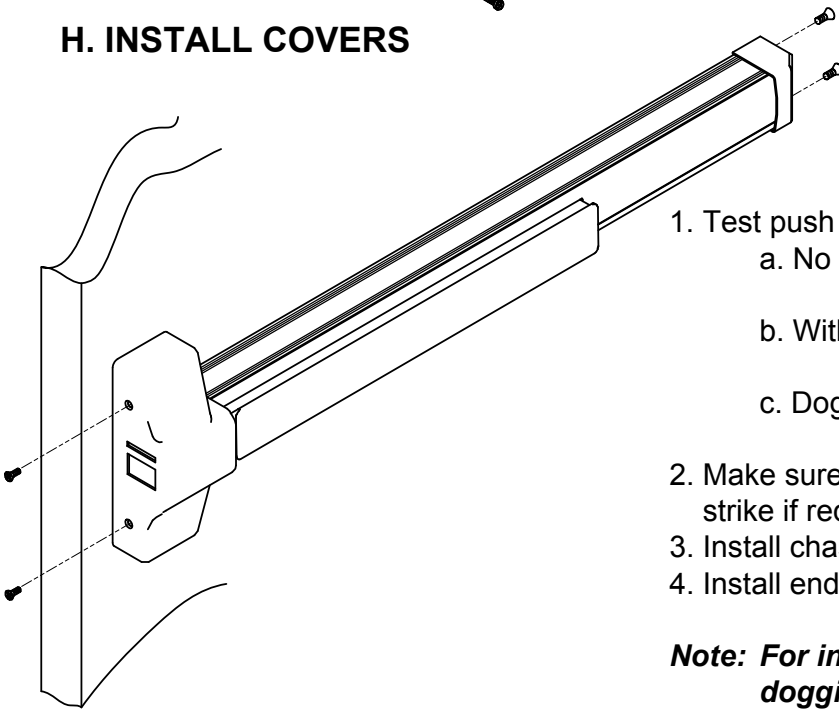
1. Remove chassis cover from latch assembly and end cap from end cap bracket.
2. Place the device horizontally over the drilled holes and attach with the supplied mounting screws. Bolt device chassis to trim with sexbolts (if required).
3. Make sure cylinder or trim actuator shaft (tailpiece) can insert into device cam concentrically (see device cam at right).
4. Install end cap bracket on device, then screw to door.
5. Tighten all screws or bolts.



Insert Trim Actuator Shaft Into device cam "+".



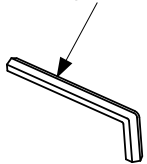
H. INSTALL COVERS



1. Test push bar operation before installing covers:
 - a. No Trim: Latch bolt is retracted by push bar inside.
 - b. With Trim: Latch bolt is retracted by push bar inside, key or lever/knob outside.
 - c. Dogging: See dogging description and chart below.
2. Make sure and secure latch bolt engagement. Adjust strike if required.
3. Install chassis cover on chassis.
4. Install end cap.

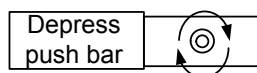
Note: For increasing the life of this device, dogging device during high traffic period of the day (Panic device only).

Dogging Wrench
(Allen Key)



Dogging:

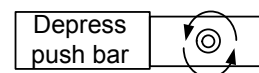
Depress push bar,
 Insert dogging wrench
 and turn clockwise 35 degrees.



The push bar will remain depressed and the latch will remain retracted

Release Dogging:

Depress push bar,
 Insert dogging wrench and
 turn counter-clockwise 35 degrees.



The push bar will return to up position and the latch will project to lock the door.